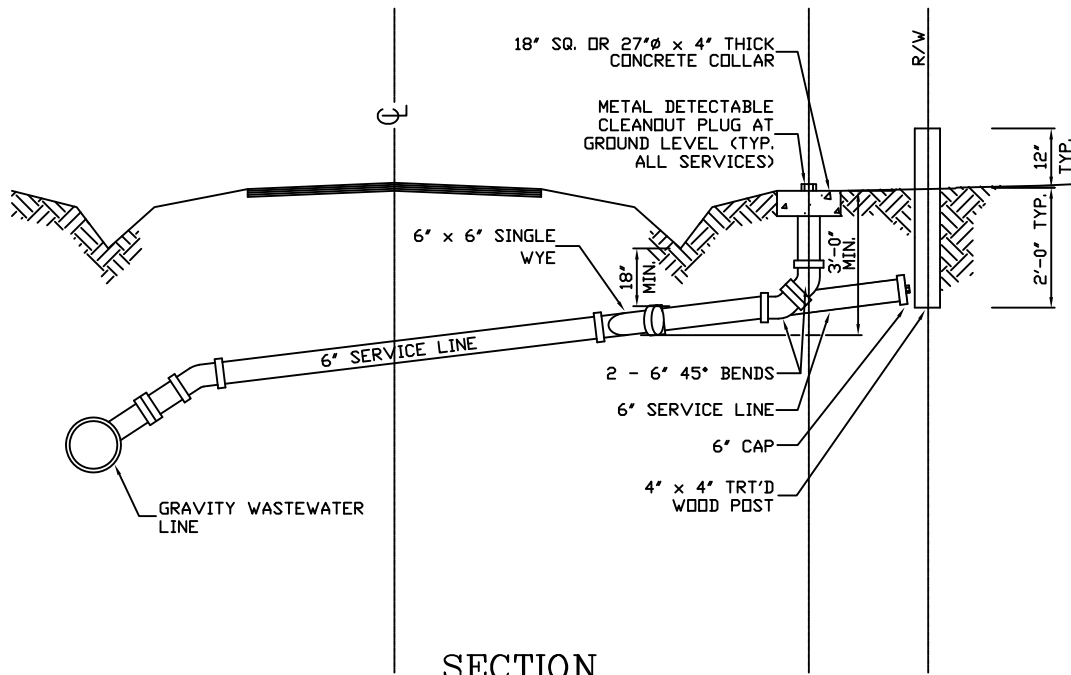


PLAN



SECTION

NOTE: WHEN REQUIRED TO BORE & JACK UNDER ROADWAY CONTRACTOR WILL USE 6" PVC FOR SERVICE LINE

GEORGETOWN COUNTY WATER & SEWER DISTRICT		
TYPICAL SINGLE SERVICE LINE CONNECTION & CLEANOUT ASSEMBLY		
DATE	SCALE	NO.
DRAWN	CHECKED	