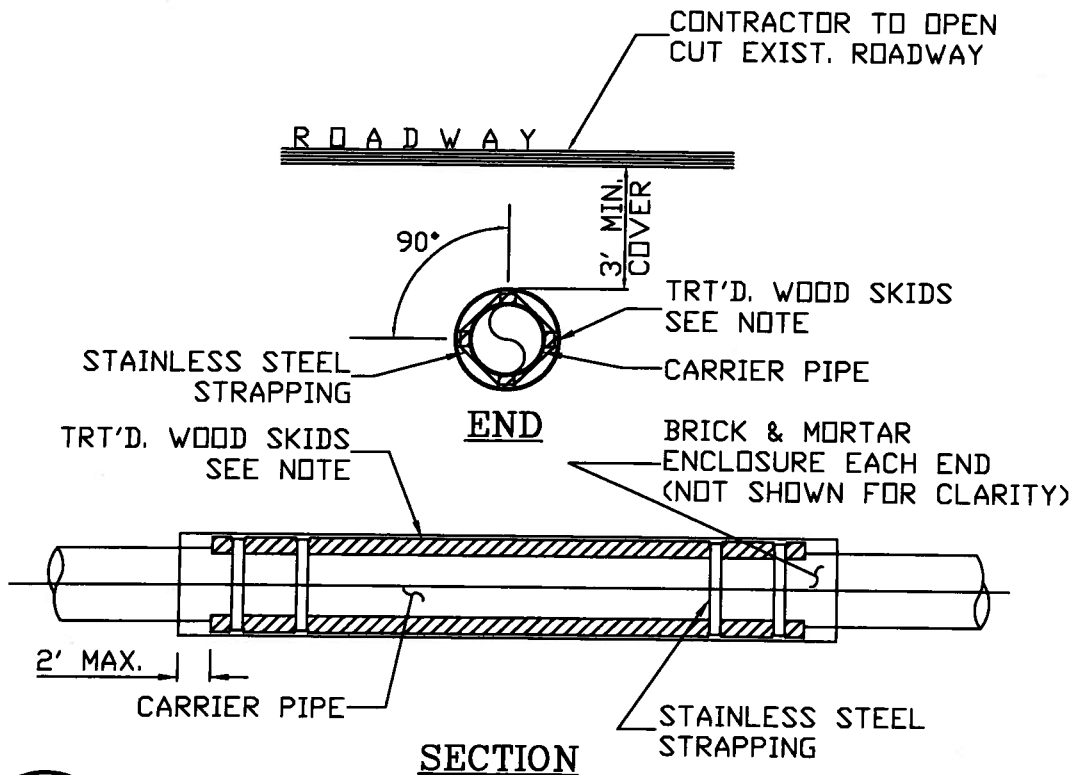


0  
00

## TYPICAL BORE & JACKED CASING

NOTE: IN LIEU OF WOOD USE CMI STAINLESS STEEL CARRIER PIPE BRACE (2 PER JOINT) OR ENGINEER APPROVED EQUAL.



8  
7

## TYPICAL STEEL CASING

NOTE: IN LIEU OF WOOD USE CMI STAINLESS STEEL CARRIER PIPE BRACE (2 PER JOINT) OR ENGINEER APPROVED EQUAL.