

24" M.H. FRAME AND COVER SET IN MORTAR

SCREENED DOWNWARD FACING ELBOW

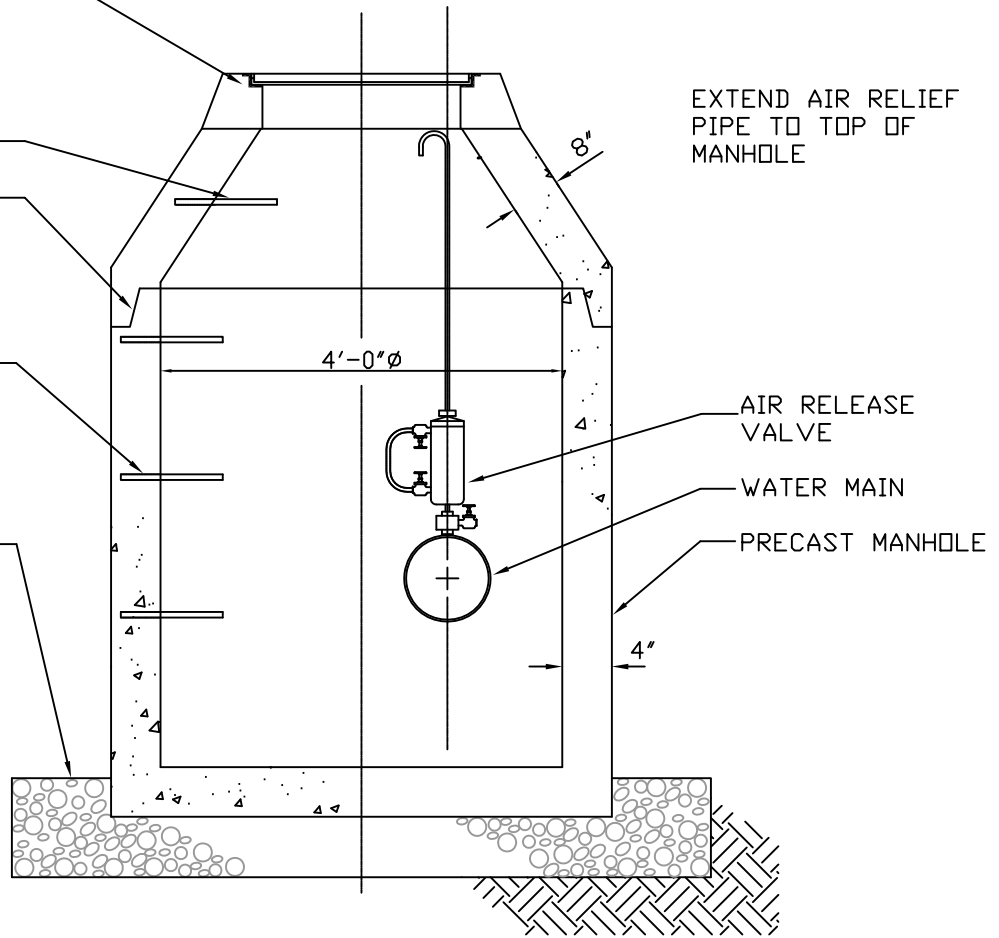
POLYPROPYLENE MANHOLE STEPS TYP.

EXTEND AIR RELIEF PIPE TO TOP OF MANHOLE

MASTIC JOINTS

MANHOLE STEPS @ 16" O.C.

STABILAZATION STONE AS REQ'D



GEORGETOWN COUNTY
WATER & SEWER DISTRICT

TYPICAL AIR RELEASE VALVE
MANHOLE - SECTION

DATE	SCALE	NO.
DRAWN	CHECKED	